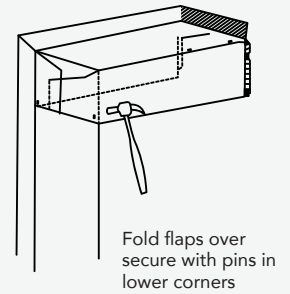
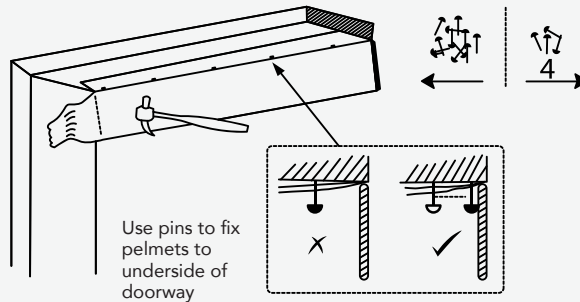
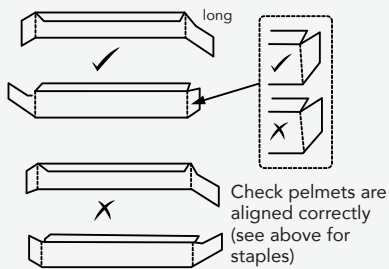


# CONCERTINA

## DOORS ONLINE

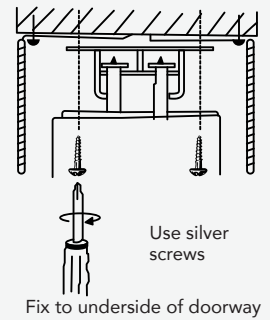
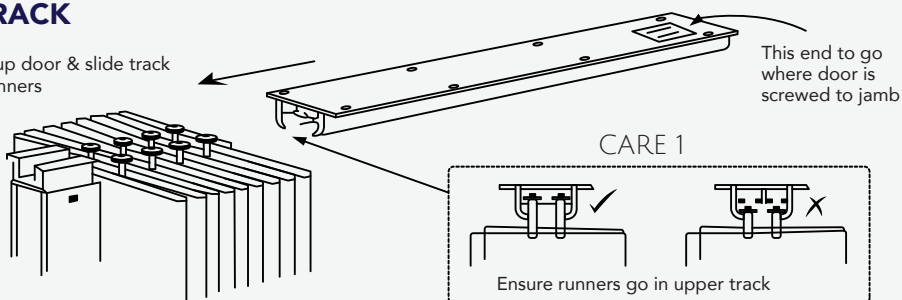
### VINYL DOOR INSTRUCTIONS

#### 1. PELMETS



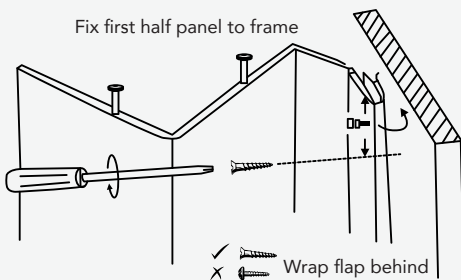
#### 2. TRACK

Bunch up door & slide track over runners

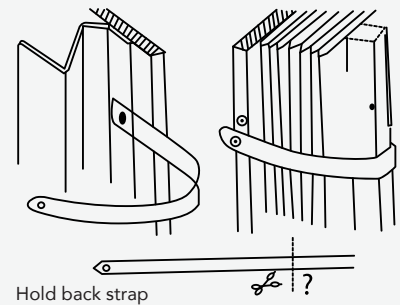
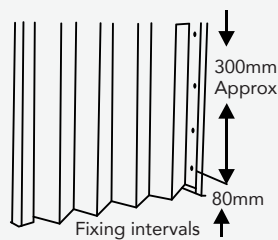


#### 3. DOOR

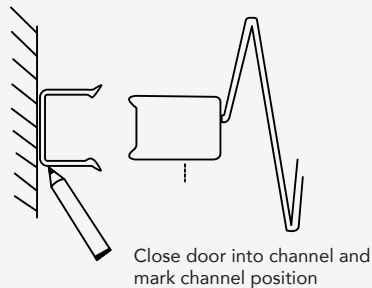
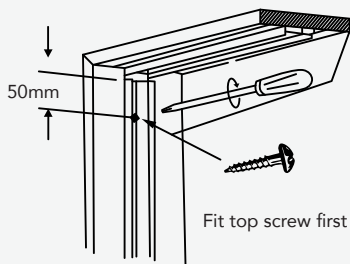
Fix first half panel to frame



Fixing Intervals:  
Star fixing 80mm from bottom & at intervals of approx 300mm as shown



#### 4. CHANNEL

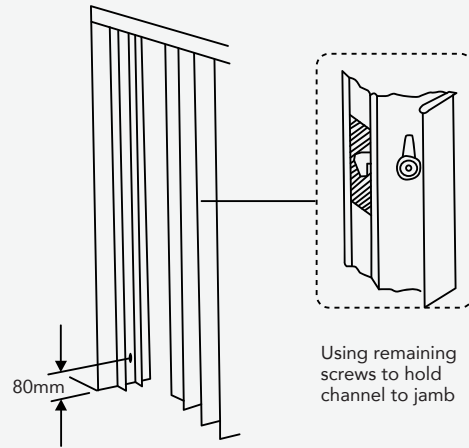
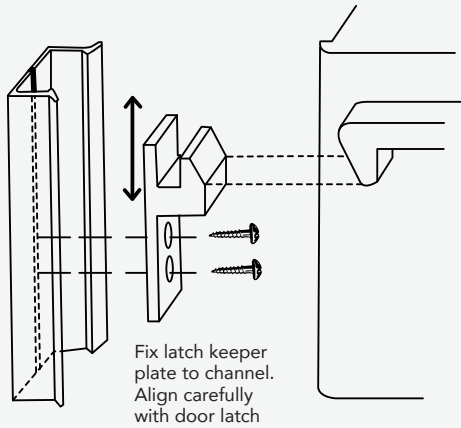


**SEE OVER PAGE FOR FITTING OF OPTIONAL EXTRA LATCHES & LOCKS**

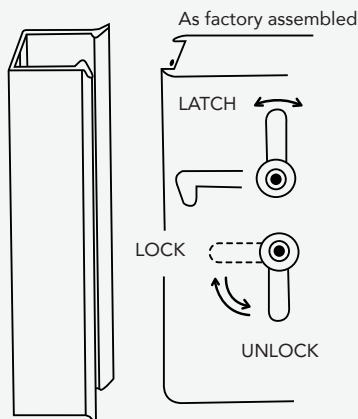


## OPTIONAL EXTRAS

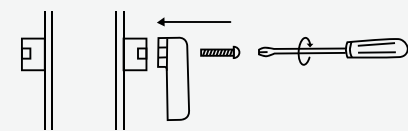
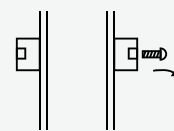
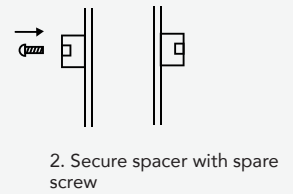
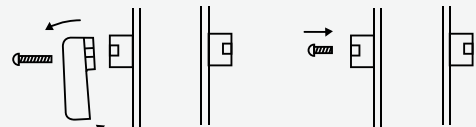
### 1. POSITIVE LATCH



### 2. LATCH & PRIVACY SNIB



To change privacy snib side, follow this sequence carefully



### 3. COMMERCIAL KEYLOCK

